

51 25 080 Removing, installing or renewing lock for top-case

+ 51 25 599

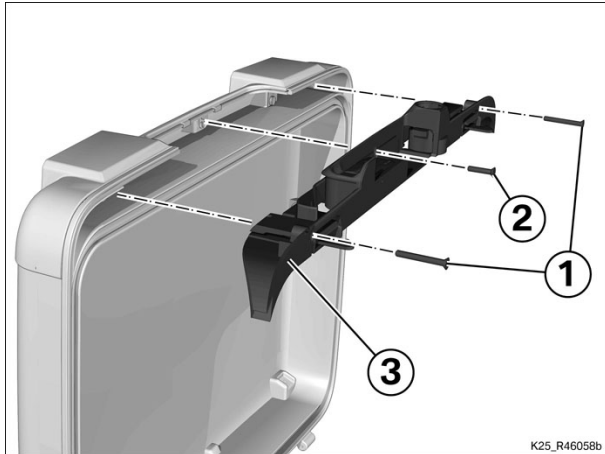
Equipment trim-level variant:

Case

Core activity

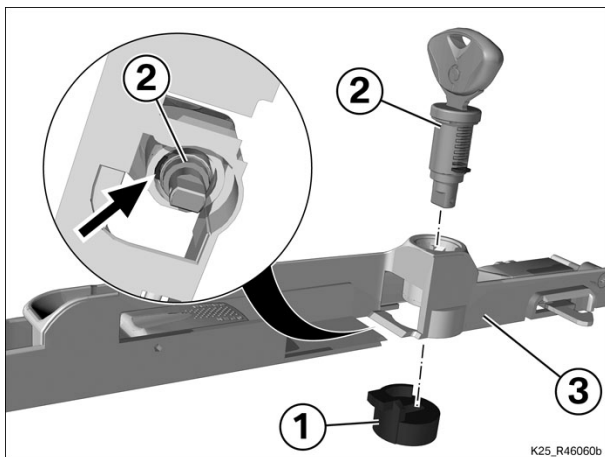
(-) Removing lock strip

- Remove screws (1) and (2).
- Remove lock strip (3).



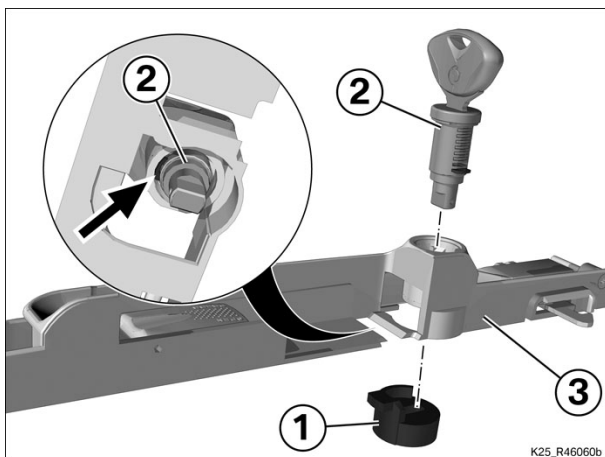
(-) Removing case lock barrel

- Remove blocking ring (1).
- Push the key into the lock barrel.
- Press the retainer (arrow) and remove lock barrel (2) from lock strip (3).



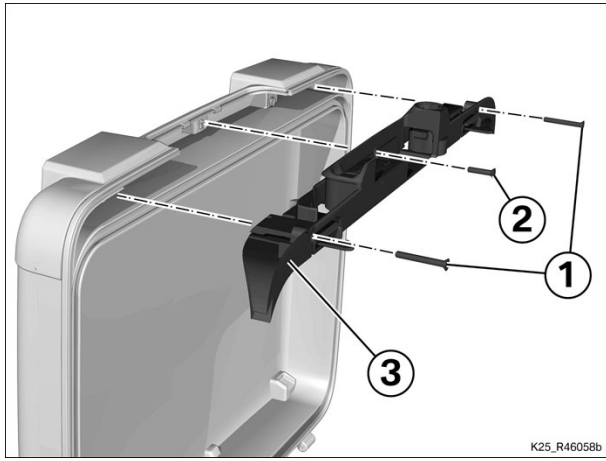
(-) Installing case lock barrel

- Insert lock barrel (2) into lock strip (3), making sure that the retainer (arrow) slips over the angled face into the bore.
- Install blocking ring (1).



(-) Installing lock strip

- Hold lock strip (3) in position and install screws (1) and (2).



Tightening torques		
Lock strip to case lid		
	1.5 Nm	

Finishing work

Final check of work performed