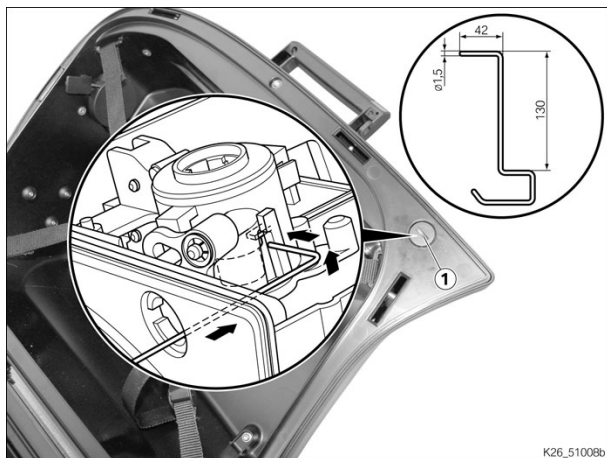


📁 51 25 090 Replacing lock barrel for case

+ 51 25 601

Core activity

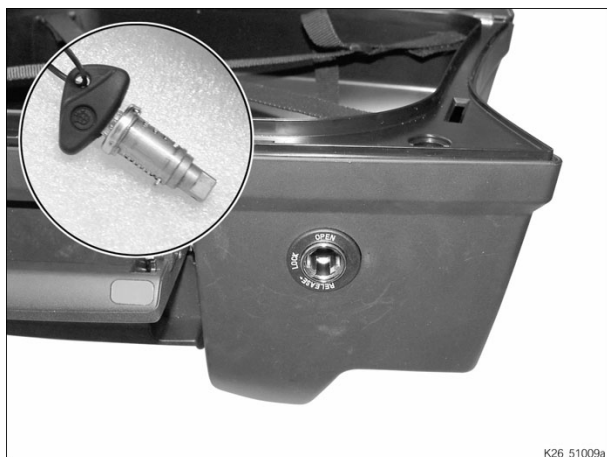
(-) Removing lock barrel from case




- Open the case.
- Remove cap (1).
- Bend a piece of wire to form a hook as shown in the illustration above.
- Slip the hook into the opening until it is seated. Then push it over to the stop and push in slightly until the latch opens, and use the key to withdraw the lock barrel.
- Install cap (1).

(-) Installing lock barrel in case

- Lubricate the lock barrel.



 <p>Fluids and lubricants</p>		
Grease for lock cylinders	Lubricating grease	81 22 9 407 421

- Insert the lock barrel with the key into the lock until retainer engages.

Finishing work

Final check of work performed