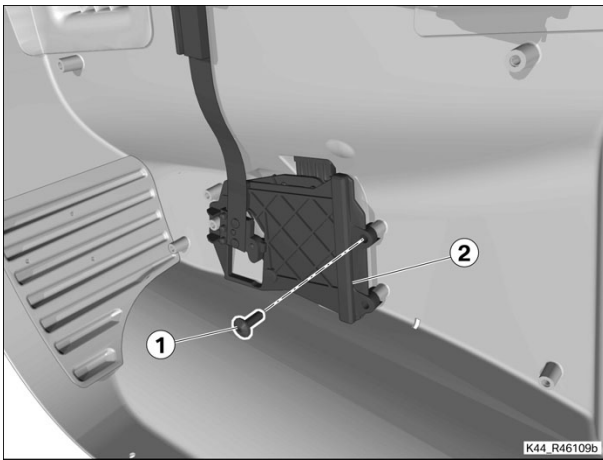


**46 54 551 Replacing lock of case (inner shell removed)**

**Core activity**

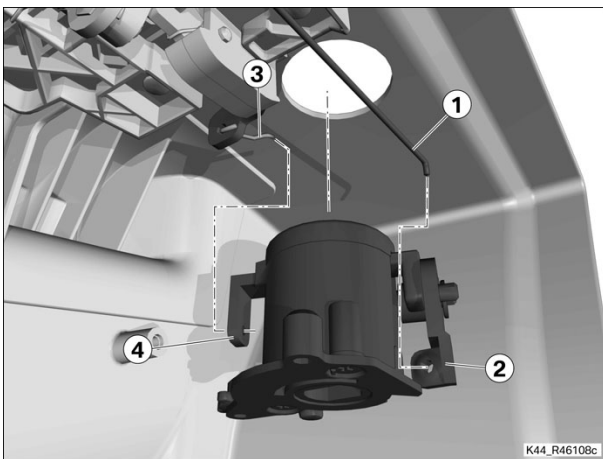
**(-) Installing screw in cover, bottom latching mechanism**

- Install short screw (1) in cover of bottom latching mechanism (2).



**(-) Removing lock**

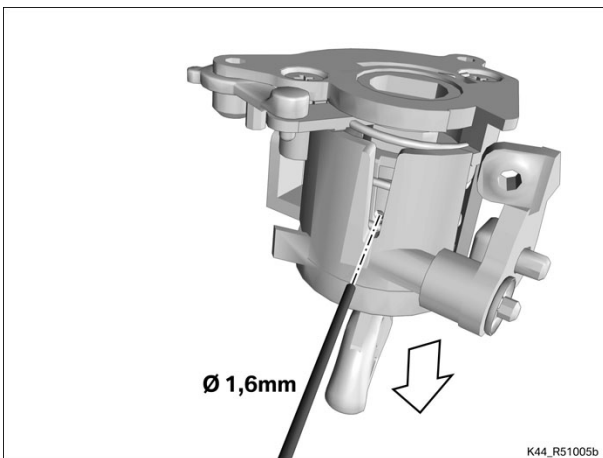
- Pull linkage (1) out of eye (2).
- Pull linkage (3) out of eye (4).



**(-) Replacing lock**

**► Removing case lock barrel from lock**

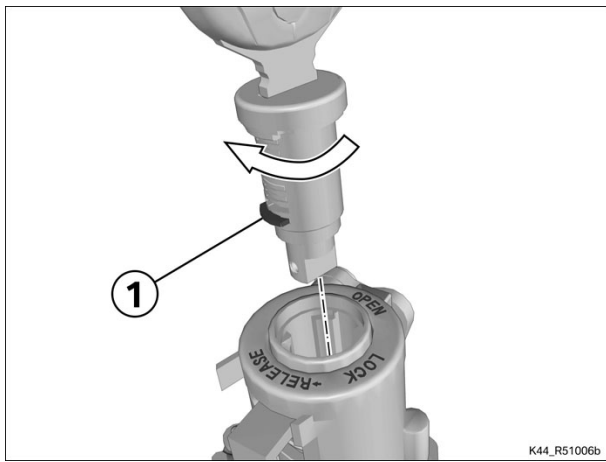
- Insert the key and turn it to the **LOCK** position.
- Insert the end of a suitable length of wire into the hole and push in the latch, while holding the lock barrel with the key side down.
- Pull out the lock barrel with the key.



- ◄
- Install a new lock.

**► Installing case lock barrel in lock**

- Lubricate the lock barrel.



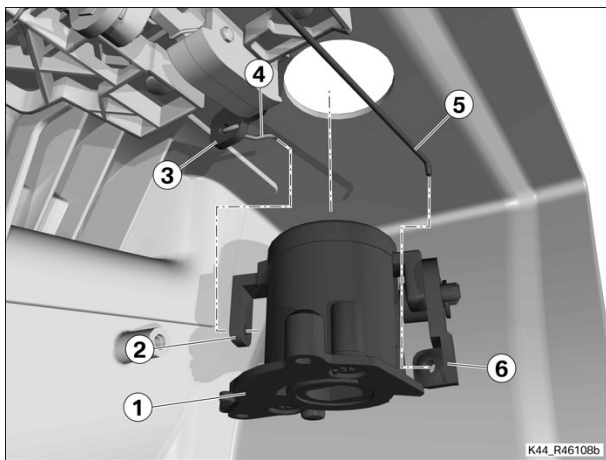
**Fluids and lubricants**

Grease for lock cylinders	Lubricating grease	81 22 9 407 421
---------------------------	--------------------	--------------------

- Insert latch (1) of the barrel into the lock with the key in the **RELEASE** position and turn the key until the lock barrel engages with an audible click.

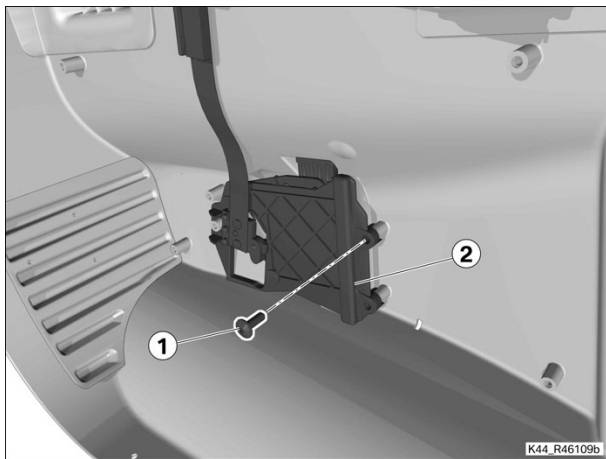


**(-) Installing lock**



- Slip linkage (4) into eye (2).
- Slip linkage (4) into eye (3).
- Slip linkage (5) into eye (6).
- Push lock (1) out.

**(-) Removing screw from cover, bottom latching mechanism**



- Remove short screw (1) from cover of bottom latching mechanism (2).