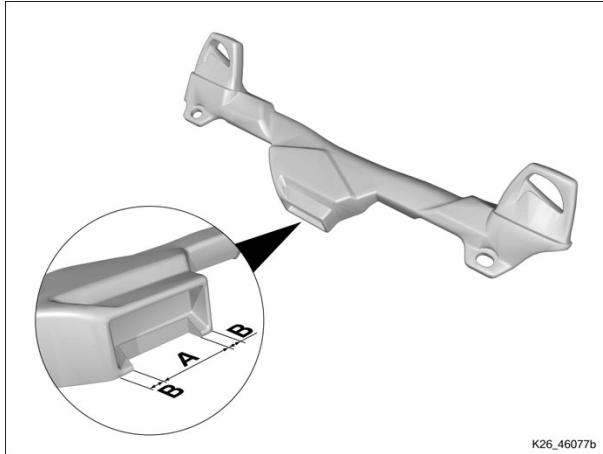


📁 46 54 319 Modifying one case carrier

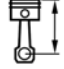
+ 46 54 519



Core activity

(-) Adjusting case carrier

- It is not necessary to remove the case carrier in order to modify it.
- Use a scribe to transfer dimensions (A) and (B) onto the holder.

 Technical data			
Cutout, case carrier, size "A"		27 mm	
Cutout, case carrier, size "B"		4 mm	

- Mill out the recess to just under the level of the inner surface and chamfer the edges.
 - Place the case in position and make sure it engages.
- » Mill out the recess as necessary if the lug has no clearance at the tab of the case latch.