

46 54 289 Removing and installing inner shell of case

+ 46 54 589

Preparatory work

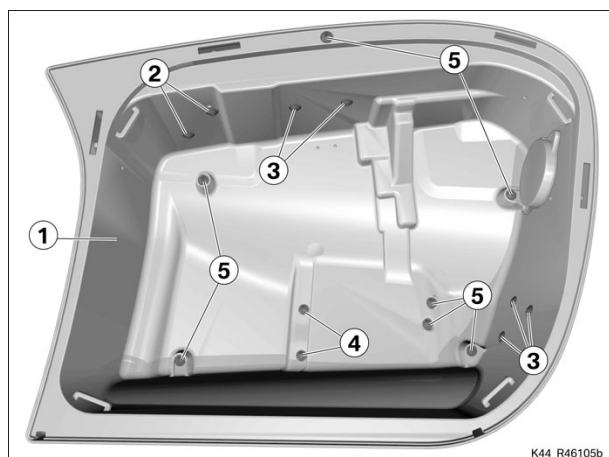
Removing case lid

Removing both bottom hinges

Core activity

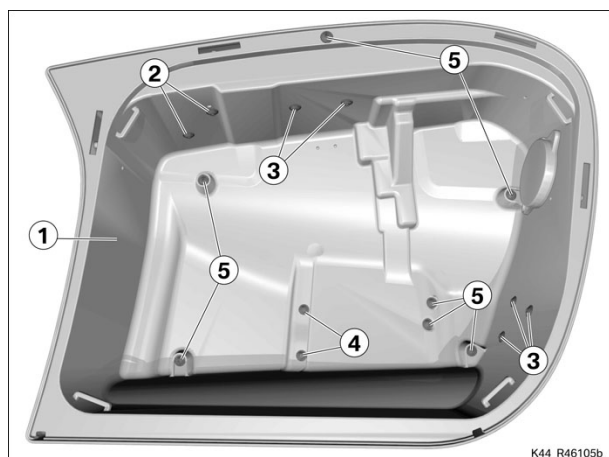
(-) Removing inner shell

- Remove screws (2) (4 x 12), screws (3) (4 x 14), screws (4) (5 x 24) and screws (5) (5 x 16).
- Remove inner shell (1).



(-) Installing inner shell

- Install inner shell (1), making sure that the mechanical components underneath it are not disengaged or shifted out of position.
- Install screws (4) (5 x 24) first.
- Install screws (2) (4 x 12), screws (3) (4 x 14) and screws (5) (5 x 16).



Finishing work

Installing both bottom hinges

Installing case lid

Final check of work performed