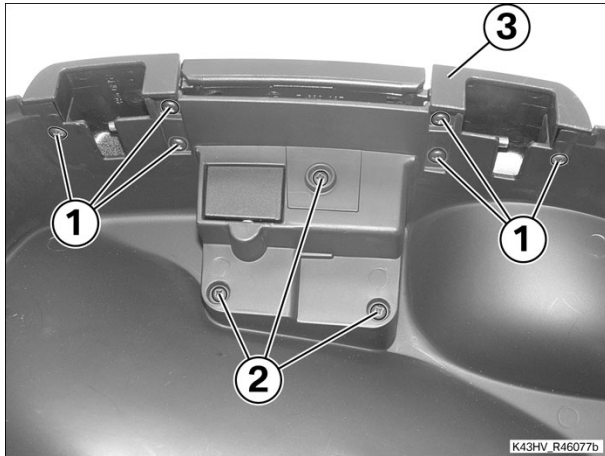


46 54 003 Replacing lock strip for case

+ 46 54 699

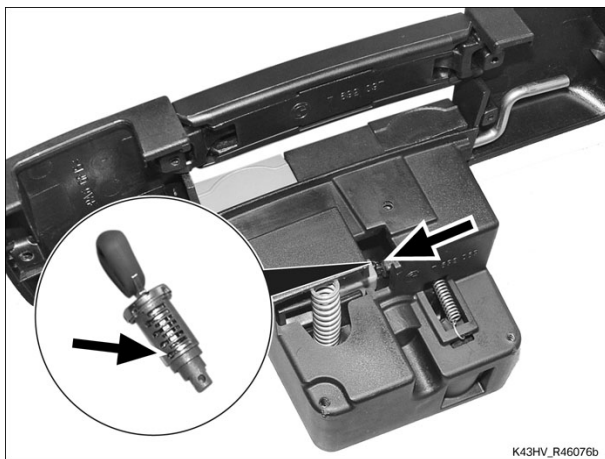
Core activity

(-) Removing lock strip



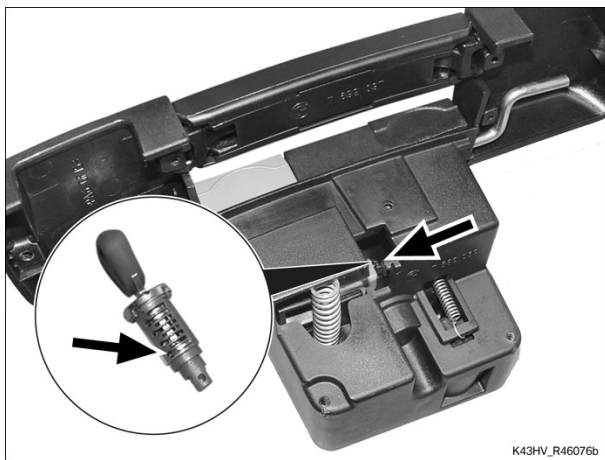
- Remove screws (1) and (2).
- Remove lock strip (3) with grab handle from bottom of case.

(-) Removing lock barrel for sport case




- Insert the key and turn it until the retainer (arrow) is visible.
- Press in the retainer (arrow) with a suitable tool, such as a screwdriver, for example, and pull out the lock barrel with the key.

(-) Installing lock barrel for sport case



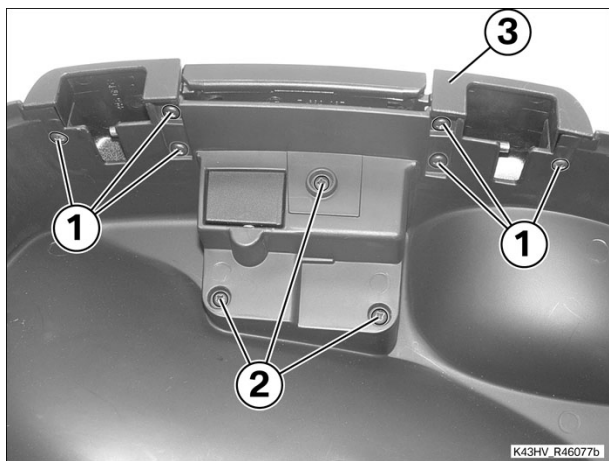
- Lubricate the lock barrel.

 <p>Fluids and lubricants</p>		
Grease for lock cylinders	Lubricating grease	81 22 9 407 421

- Use the key to insert the lock barrel.
- Push down on the lock barrel until the retainer (arrow) engages.

(-) Installing lock strip

- Insert lock strip (3) with grab handle into bottom of case
- Install screws (1) and (2).



Finishing work

Final check of work performed