

71 60 055 Installing backrest pads

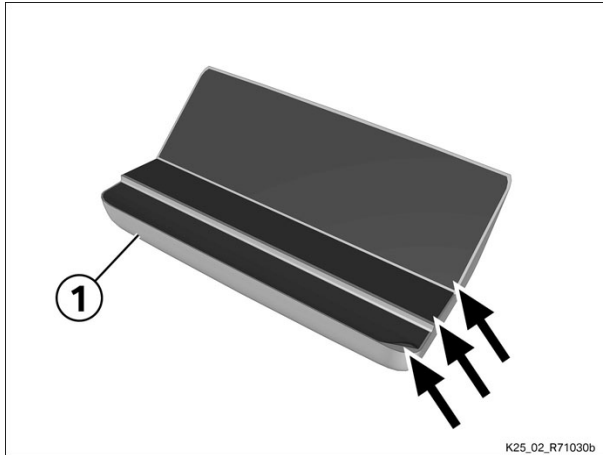
+ 71 60 555

Core activity

(-) Installing small backrest pad

► Peeling backing film off small backrest pad

- Peel the strips of backing film (arrows) off small backrest pad (1).



K25_02_R71030b



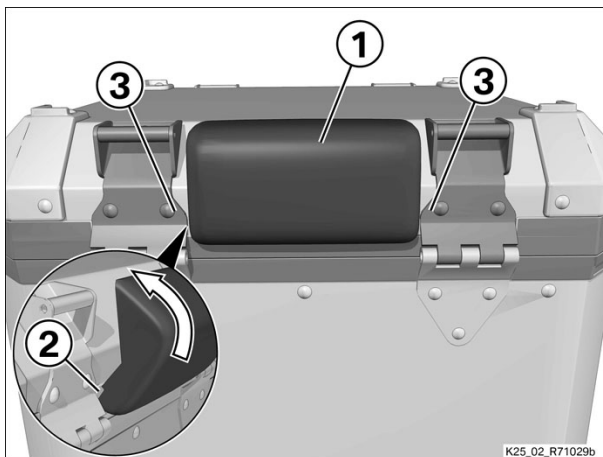
- Begin by seating bottom rib (2) of small backrest pad (1) and then, working from the bottom up, press the pad lightly into position against the contour of the topcase, making sure that the small backrest pad is centred between the two hinges (3) of the topcase lid.



Note

Faces that will be in contact with the adhesive must be dry and free from dust and grease.

- Fix the small backrest pad in position by pressing it firmly against the topcase lid.

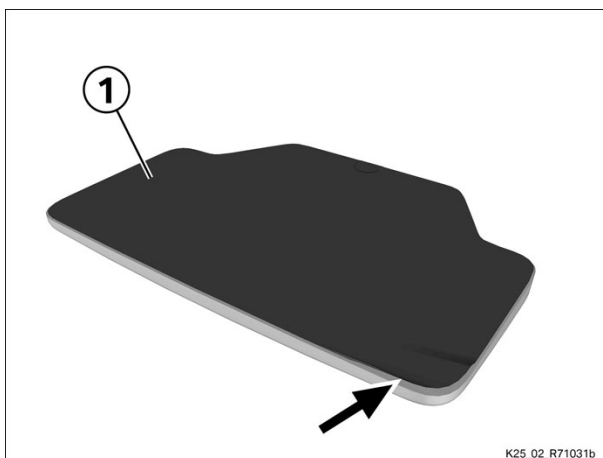


K25_02_R71029b

(-) Installing large backrest pad

► Peeling backing film off large backrest pad

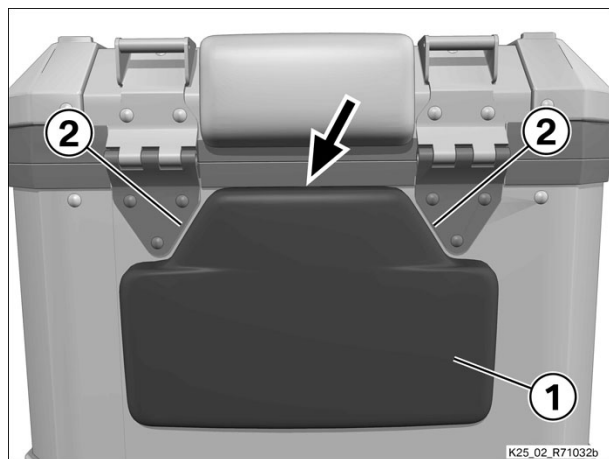
- Peel the backing film (arrow) off large backrest pad (1).



K25_02_R71031b



- Begin by seating the large backrest pad (1) at the rib (arrow) at the top and then, working from the top down, press the pad lightly into position, making sure that the large backrest pad is centred between



the two hinge mounts (2) of the topcase lid.



Note

Faces that will be in contact with the adhesive must be dry and free from dust and grease.

- Fix the large backrest pad in position by pressing it firmly against the topcase.

Finishing work

Final check of work performed